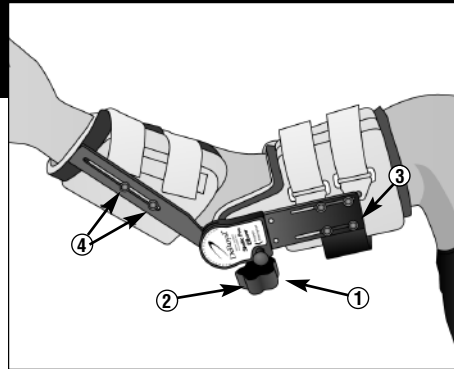




Static-Pro® Elbow Static Progressive Orthosis

Single Patient Use

Rx Only



IMPORTANT INFORMATION

Please read all instructions, warnings and precautions before use.

INTENDED USE

The DeRoyal *Static-Pro*® elbow orthosis was designed for the treatment of joint stiffness, and established soft tissue contractures, which may have resulted from trauma, immobilization, or neurological disorders. The orthosis should only be used under the supervision of a qualified health care professional. Protocols for use vary depending on the diagnosis and should be determined after consulting with the patient's physician. The *Static-Pro*® assists in either flexion or extension in one unit.

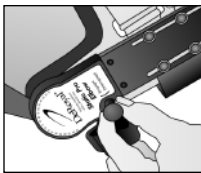
CONTRAINDICATIONS

The *Static-Pro*® orthosis should not be used if any of the following conditions exist: Severe spasticity, severe osteoporosis, and/or thrombophlebitis. If pain, numbness, swelling, or skin irritation occurs while wearing the orthosis, the device should be removed. The patient should be re-evaluated and appropriate adjustments made.

INSTRUCTIONS FOR USE

IMPORTANT: Before applying the orthosis, disengage the gearing mechanism by pulling the engagement knob

(1) outward and at the same time pivot the position adjustment knob (2) back toward the back of unit. The forearm cuff should move freely. **Note:** The adjustment knob (2) should be positioned under the elbow, in order to allow the device to achieve full flexion.



1. Sizing and Molding the biceps and forearm cuffs: The biceps and forearm cuffs are designed to be trimmed to fit each patient. Using scissors,

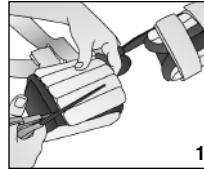
trim enough panels from both sides of each cuff so that the ends of the cuffs do not overlap when on the patient. **Note:** The blue foam liner should extend 1/2" beyond the white Wire-Foam™. To adjust the position of the forearm and biceps cuffs, loosen the screws (4), position the cuffs, and retighten the screws.

2. Donning the unit: Unfasten forearm and biceps straps. Place orthosis on the arm, with the hinge on the medial (inside) side of the arm. **Note:** The unit can also be placed on the lateral side (outside) of the arm; however, the black knob is easier to adjust when wearing the unit on the medial side. Position the axis of the hinge centered at the elbow joint. Mold the biceps cuff and the forearm cuff around the arm, and fasten the straps with the hook and loop closure for a snug, comfortable fit.

Note: Pulling on the welded end of each strap will tighten the strap.

3. Position elbow: Position the elbow at its active end range, in either flexion or extension. The active end range is the extent to which the arm can be flexed or extended without help.

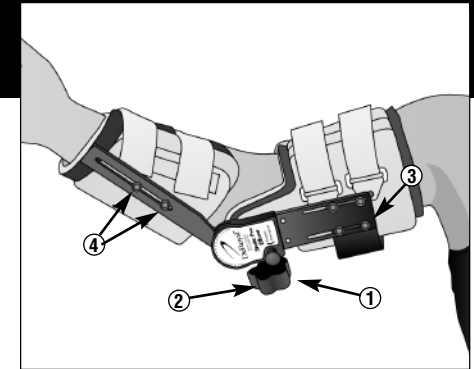
4. Engage gearing mechanism: Pull the engagement knob (1) outward and pivoting the position adjustment knob (2) forward towards the wrist. The black engagement knob



Static-Pro® Elbow Static Progressive Orthosis

Single Patient Use

Rx Only



IMPORTANT INFORMATION

Please read all instructions, warnings and precautions before use.

INTENDED USE

The DeRoyal *Static-Pro*® elbow orthosis was designed for the treatment of joint stiffness, and established soft tissue contractures, which may have resulted from trauma, immobilization, or neurological disorders. The orthosis should only be used under the supervision of a qualified health care professional. Protocols for use vary depending on the diagnosis and should be determined after consulting with the patient's physician. The *Static-Pro*® assists in either flexion or extension in one unit.

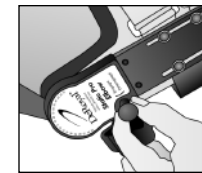
CONTRAINDICATIONS

The *Static-Pro*® orthosis should not be used if any of the following conditions exist: Severe spasticity, severe osteoporosis, and/or thrombophlebitis. If pain, numbness, swelling, or skin irritation occurs while wearing the orthosis, the device should be removed. The patient should be re-evaluated and appropriate adjustments made.

INSTRUCTIONS FOR USE

IMPORTANT: Before applying the orthosis, disengage the gearing mechanism by pulling the engagement knob

(1) outward and at the same time pivot the position adjustment knob (2) back toward the back of unit. The forearm cuff should move freely. **Note:** The adjustment knob (2) should be positioned under the elbow, in order to allow the device to achieve full flexion.



1. Sizing and Molding the biceps and forearm cuffs: The biceps and forearm cuffs are designed to be trimmed to fit each patient. Using scissors,

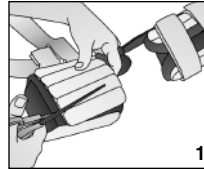
trim enough panels from both sides of each cuff so that the ends of the cuffs do not overlap when on the patient. **Note:** The blue foam liner should extend 1/2" beyond the white Wire-Foam™. To adjust the position of the forearm and biceps cuffs, loosen the screws (4), position the cuffs, and retighten the screws.

2. Donning the unit: Unfasten forearm and biceps straps. Place orthosis on the arm, with the hinge on the medial (inside) side of the arm. **Note:** The unit can also be placed on the lateral side (outside) of the arm; however, the black knob is easier to adjust when wearing the unit on the medial side. Position the axis of the hinge centered at the elbow joint. Mold the biceps cuff and the forearm cuff around the arm, and fasten the straps with the hook and loop closure for a snug, comfortable fit.

Note: Pulling on the welded end of each strap will tighten the strap.

3. Position elbow: Position the elbow at its active end range, in either flexion or extension. The active end range is the extent to which the arm can be flexed or extended without help.

4. Engage gearing mechanism: Pull the engagement knob (1) outward and pivoting the position adjustment knob (2) forward towards the wrist. The black engagement knob

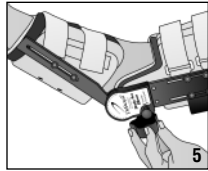




will click into place. **Note:** To fully engage the gearing mechanism, the position adjustment knob may need to be rotated slightly.

5. Adjusting the orthosis position:

Rotate the position adjustment knob (2) until the joint's soft tissues are stretched



to patient tolerance. **Note:** See Patient Protocol Card to determine the appropriate amount of stress, and wearing time.

6. Getting more flexion: Remove the two forearm cuff screws (4). Rotate the cuff parallel to the axis of the arm, so that the cuff opening is aimed upward, and replace the screws. Trim all white Wire-Foam™ trim zones on the forearm and Biceps cuffs.

Note: Do not trim the soft foam liner. Retain the trimmed trim zones in case they are needed for extension assist.

7. Removing orthosis: Disengage the gearing mechanism by pulling out the engagement knob (1), and at the same time pivot the position adjustment knob (2) toward the back of the unit. The forearm should move freely. Unfasten all straps.

8. Changing softgoods: Remove the four screws on the biceps plate (3) to remove the biceps cuff. Attach new biceps cuff. Remove the two forearm cuff screws (4) to remove the forearm cuff. Attach new forearm cuff.

CARE INSTRUCTIONS

Clean Wire-Foam™ pads and exterior of hinge with non-abrasive cleaner. Straps and blue liner may be machine-washed. Air-dry liner and straps prior to wearing.

PRECAUTION

Caution should be used if any of these conditions exist: peripheral vascular disease, healing skin wounds, severe spasticity, heterotrophic ossification, and mild osteoporoses.



Manufacturer
DeRoyal
200 DeBusk Lane, Powell, TN 37849 U.S.A.
888.938.7828
865.938.7828

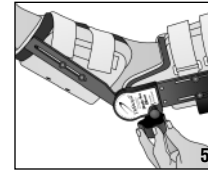
Part #1-4425
Revision 4 Revised 3/05
©2005 DeRoyal. All Rights Reserved.



will click into place. **Note:** To fully engage the gearing mechanism, the position adjustment knob may need to be rotated slightly.

5. Adjusting the orthosis position:

Rotate the position adjustment knob (2) until the joint's soft tissues are stretched



to patient tolerance. **Note:** See Patient Protocol Card to determine the appropriate amount of stress, and wearing time.

6. Getting more flexion: Remove the two forearm cuff screws (4). Rotate the cuff parallel to the axis of the arm, so that the cuff opening is aimed upward, and replace the screws. Trim all white Wire-Foam™ trim zones on the forearm and Biceps cuffs.

Note: Do not trim the soft foam liner. Retain the trimmed trim zones in case they are needed for extension assist.

7. Removing orthosis: Disengage the gearing mechanism by pulling out the engagement knob (1), and at the same time pivot the position adjustment knob (2) toward the back of the unit. The forearm should move freely. Unfasten all straps.

8. Changing softgoods: Remove the four screws on the biceps plate (3) to remove the biceps cuff. Attach new biceps cuff. Remove the two forearm cuff screws (4) to remove the forearm cuff. Attach new forearm cuff.

CARE INSTRUCTIONS

Clean Wire-Foam™ pads and exterior of hinge with non-abrasive cleaner. Straps and blue liner may be machine-washed. Air-dry liner and straps prior to wearing.

PRECAUTION

Caution should be used if any of these conditions exist: peripheral vascular disease, healing skin wounds, severe spasticity, heterotrophic ossification, and mild osteoporoses.



Manufacturer
DeRoyal
200 DeBusk Lane, Powell, TN 37849 U.S.A.
888.938.7828
865.938.7828

Part #1-4425
Revision 4 Revised 3/05
©2005 DeRoyal. All Rights Reserved.